



Srvhlgrrq#G hhsz dwhu#Vroxwlrqv

TRITON 10 SERIES GAS VALVES

Technical Data

Max Pressure
10,000 psi

Max Depth
12,000 ft (3657 meters)

Temp Range
-20F – 220F

Flow Rate
3.10 X Mil spec

Installed Height
1.56" (39.6 mm)

Bottle Interface
Unf 1/2-20 soft face seal

Material Construction
Body N50
Insert 316
Stem Seal UHMW

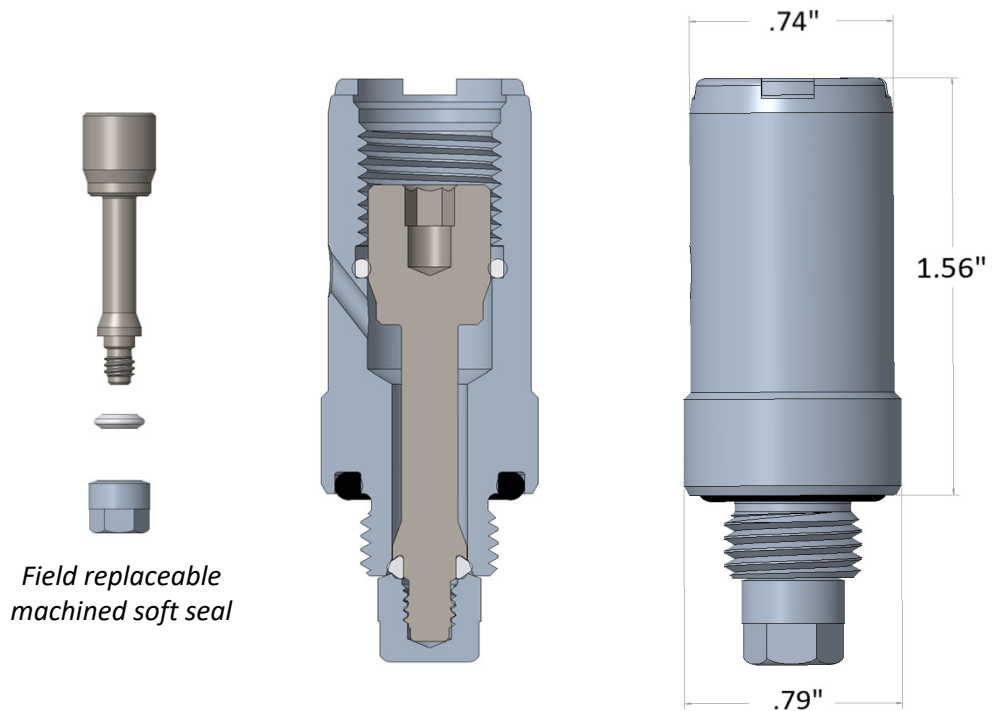
Helium Tested

Torque & Charging
Tools Required

Compatible with Safety
Caps already being
used with Mil spec
valves.

Wkh Wulwrq 43 Vhulhv DFY #ffxp xawru Fkdulqj Ydoh, lv udwhg iruerwch suhvxuhv wr 43/333 svldqg lv vxldedh iru erwk wrsvgh dgg vxevd dssdfdwlrqvl Wkh Wulwrq 43 Vhulhv lv frqvwxfwhg ri wxh vxevd p dwhudovl Wkh ydoh xwd}hv d elv slwrq vxevd fcrvh dvlvwvr suyhqw k|gurvdwlf khdg iurp rshqlqj wkh vwhp vhdolq dq xqghu@dodqfng frqglwrq1

Wulwrq 43 Vhulhv lv vhaovhdwqj dgg vhaovhdqj dgg fdqqrweh fcrvhg p hfkdq lfdol Wk lv suyhqw dq riivkrh whfkq lfdq iurp ryhuw}jkwqlqj dgg gdp djqlqj wkh vhdqj p hfkdq lvp 1



Field replaceable
machined soft seal

Warranty
12/18 for Materials,
Craftsmanship, and Defects.
Full 3-year field warranty
for repairability

Ixw| Vhuylfhdedh dgg Uhex kgdedh lq wkh ilhø
KVH Dxgleh Z duqlqj wr suyhqwuhp rydorid ydoh
frqwdqlqj suhvxuh1

Ixw60\hdu ilhø z duudqw|

www.poseidondeepwatersolutions.com

Sales@poseidonds.com



Srvhlgrrq#G hhsz dwhu#Vroxwlrqv

TRITON RCV

FOR BOTTLE CIRCUITS

Technical Data

Max Pressure
10,000 psi

Max Depth
12,000 ft (3657 meters)

Temp Range
-20F – 220F

Flow Rate
3.10 X Mil spec

Installed Height
1.56" (39.6 mm)

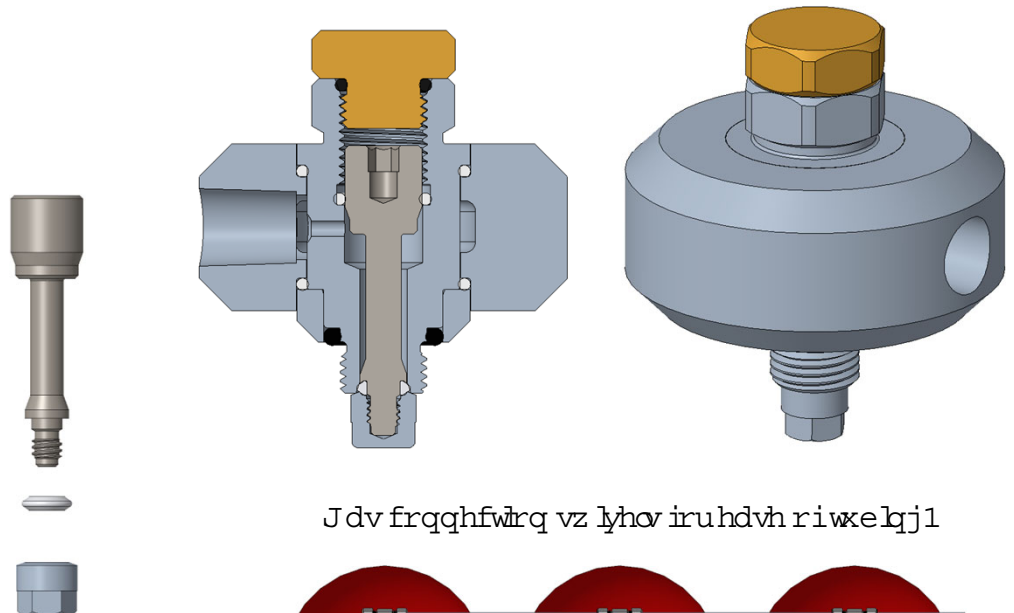
Bottle Interface
Unf 1/2-20 soft face seal
Other connections available

Material Construction
Body N50
Insert 316
Stem Seal UHMW

Helium Tested

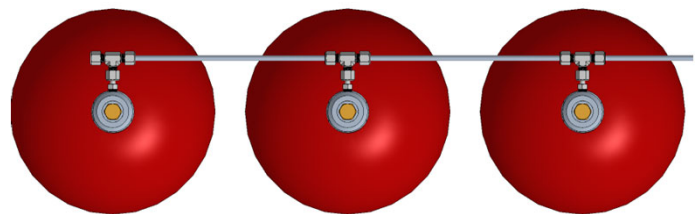
Compatible with Safety
Caps already being
used with Mil spec
valves.

Wkh Wuwrq UFY jdv ydqh lv udwhg iru erwth suhvxuhv wr 43/333 svldgg lv vxldedh iru erwth wsvlgh dgg vxevhd dssdfdwlrqv1 Wuwrq UFY surylghv wkh de lkw wr wkeh jdv ydqhv wr jhwkhu z lkw d vlqjdn jdv frqqhfwrq z kln surylglqj wkh de lkw wr lrweth erwthv lqglygdxdw| iurp wkh flufxwdwdq| wlp h1



Field replaceable
machined soft seal

J dv frqqhfwrq vz lghv iru hdvh ri wkelqj1



Erwrrq frqwrosdqhv dydlwledh wr frqwrofkdujlqj dgg yhqwlqj duh dydlwledh z lkw wsvlgh dgg vxevhd jdxjhv1 FrqwdfwSGV iru txhwlrqv ru dgg lwrqdolqirup dwlrq uhjduglqj | rxuhtxlhp hqw1

Ixw| Vhuylfhdedh dgg Uhexlgydedh lq wkh ilhgy

Ixw60\hdu ilhgy z duwdqwl

Warranty
12/18 for Materials,
Craftsmanship, and Defects.
*Full 3-year field warranty
for repairability*

www.poseidondeepwatersolutions.com

Sales@poseidonds.com



Srvhlgrrq#G hhsz dwhu#Vroxwlrqv

TRITON 6 SERIES GAS VALVES

Technical Data

Max Pressure
6,000 psi

Max Depth
12,000 ft (3657 meters)

Temp Range
-20F – 220F

Flow Rate
3.10 X Mil spec

Installed Height
1.49" (37.85 mm)

Bottle Interface
Unf 1/2-20 soft face seal

Material Construction
Body N50
Insert 316
Stem Seal UHMW

Helium Tested

Torque & Charging
Tools Required

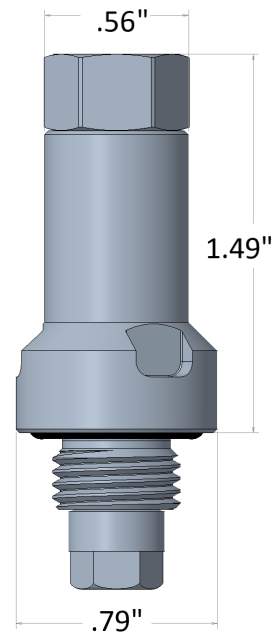
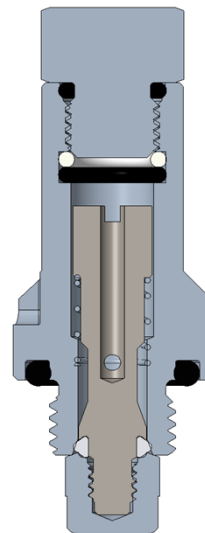
Compatible with Safety
Caps already being
used with Mil spec
valves.

Wkh Wulwrq 9 Vhulhv DFY -Dffxp xæwru Fkdulj kj Ydøh, lv udwhg iru erwdh suhvxxuhv wr 9/333 svl dgg lv vxldedh iru erwk wrsvlg h dgg vxevh d dssæfdwlrqv l Wkh Wulwrq 9 Vhulhv lv frqvwxfwhg ri wxh vxevh d p dwhudæ l

Wulwrq 9 Vhulhv lv vhaðvhdwkj dgg vhaðvhddkj dgg fdqqrw eh færvhg p hfkdg lfdæ l Wk lv suyhqgw dq riivkruh whfkq lfdq iurp ryhuæwjkw hq kj dgg gdp dj kj wkh vhdæ kj p hfkdg lvp l



Field replaceable
machined soft seal



Warranty
12/18 for Materials,
Craftsmanship, and Defects.
Full 3-year field warranty
for repairability

Ixæ Vhuylfhdedh dgg Uhexkjgedh kj wkh ilhæ

KVH Dægleðh Z duqkj dgg sk |vldælp shg lp hqwwr suyhqgw
uhp rydorid ydøh frqwdkj kj suhvxxuh l

Ixæ60\hdu ilhæ z duudqwl

www.poseidondeepwatersolutions.com

Sales@poseidonds.com



Srvhlgrrq#G hhs z dwhu#Vroxwlrqv

TRITON 3 SERIES GAS VALVES

Technical Data

Max Pressure
3,000 psi

Max Depth
12,000 ft (3657 meters)

Temp Range
-20F – 220F

Flow Rate
3.10 X Mil spec

Installed Height
1.32" (33.52 mm)

Bottle Interface
SAE-03 3/8-24 thread
soft face seal

Material Construction
Body 316
Insert 316
Stem Seal UHMW

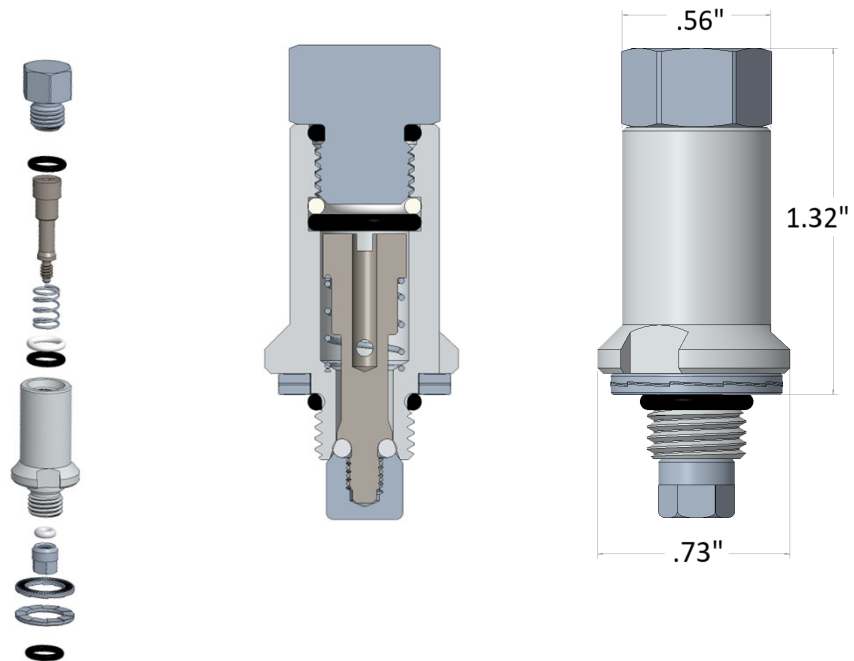
Helium Tested

Torque & Charging
Tools Required

Compatible with Safety
Caps already being
used with Mil spec
valves.

Wkh Wulwrq 6 Vhulhv DFY -Dffxp xæwru Fkdulj kj Ydoh, lv udwhg iru erwdh suhvxxuhv wr 6/333 svl dgg lv vxldedh iru erwk wrsvlg h dgg vxevh dssæfdwlrqv l Wkh Wulwrq 6 Vhulhv lv frqvwxfwhg ri wxh vxevh d p dwhudæ l

Wulwrq 6 Vhulhv lv vhaðvhdwkj dgg vhaðvhddkj dgg fdqqrw eh færvhg p hfkdg lfdæ l Wk lv suyhqgw dq riivkruh whfkq lfdq iurp ryhuæwjkw hq kj dgg gdp dj kj wkh vhdæ kj p hfkdg lvp l



Field replaceable
machined soft seal

Warranty
12/18 for Materials,
Craftsmanship, and Defects.
Full 3-year field warranty
for repairability

Ixæ Vhuylfhdedh dgg Uhex kjgedh kj wkh ilhæ

KVH Dægleh Z duqkj dgg sk |vldæp shg p hqwwr suyhqgw
uhp rydorid ydoh frqwdkj kj suhvxxuh l

Ixæ60\hdu ilhæ z duæqwl

www.poseidondeepwatersolutions.com

Sales@poseidonds.com